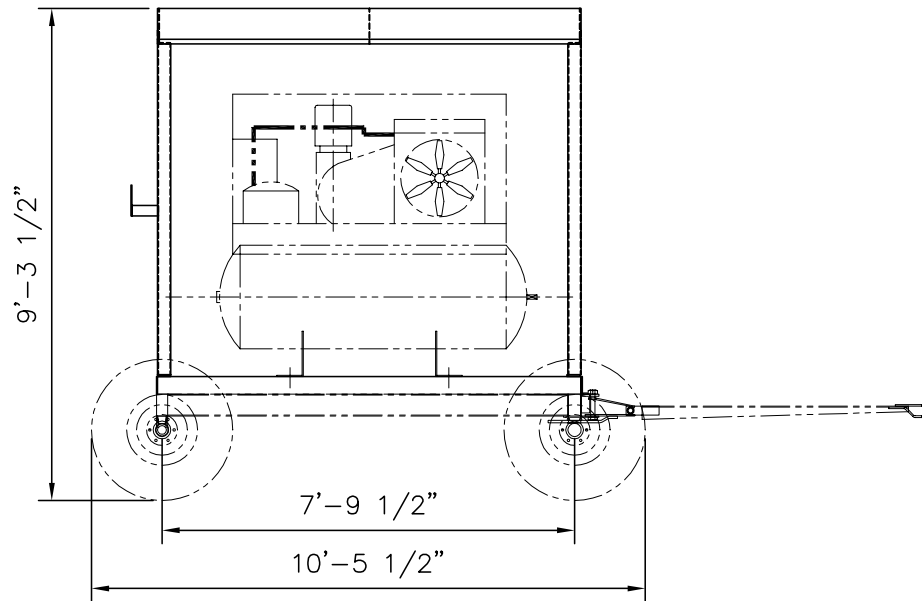


PLAN VIEW



ELEVATION

THIS DRAWING, CONCEPTS, AND DESIGNS SHOWN THEREON ARE THE EXCLUSIVE PROPERTY OF RBT SERVICES, INC AND ARE NOT TO BE USED OR REPRODUCED IN WHOLE OR IN PART, WITHOUT THE WRITTEN CONSENT OF RBT SERVICES, INC.

0 05/14/03 RELEASED FOR FABRICATION

RDB

REV. #	DATE	DESCRIPTION	BY
			RDB


RAIL BARGE TRUCK SERVICES, INC.
 218 CORPORATE DRIVE
 ELIZABETHTOWN, KY 42701
 PHONE: (270) 763-6649
 FAX: (270) 763-6653
 e-mail: sales@rbtsi.com

DESCRIPTION:

**MODEL AC320
 AIR COMPRESSOR
 GENERAL ARRANGEMENT**

DRAWN BY: RDB	DRAWN DATE: 05/14/03	APPROVED BY:	APPROVED DATE:
CHECKED BY: RDB	CHECKED DATE: 05/14/03	SHEET NUMBER:	OF
CUSTOMER:	JOB NO:	SCALE: N/A	
LOCATION:	DWG NO:	AC320-GA-01A	