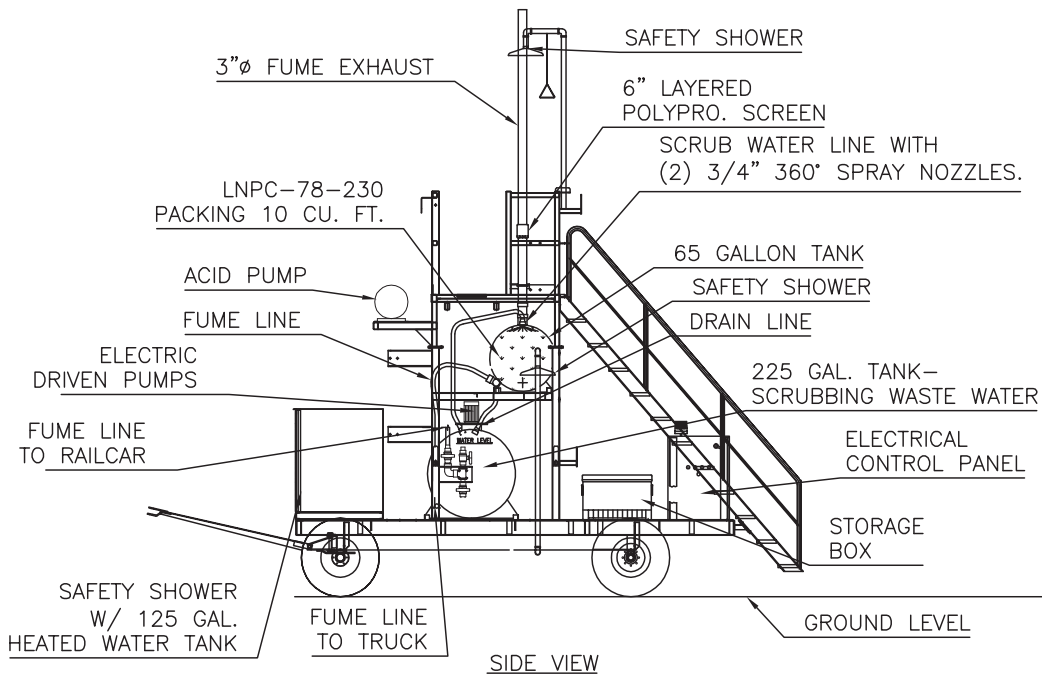
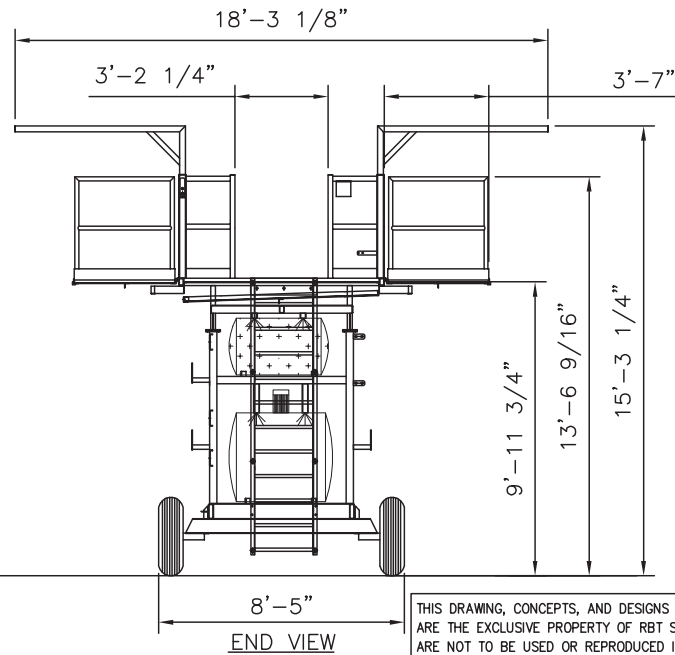


PLAN VIEW



SIDE VIEW



END VIEW

THIS DRAWING, CONCEPTS, AND DESIGNS SHOWN THEREON ARE THE EXCLUSIVE PROPERTY OF RBT SERVICES, INC AND ARE NOT TO BE USED OR REPRODUCED IN WHOLE OR IN PART, WITHOUT THE WRITTEN CONSENT OF RBT SERVICES, INC.

REV. # DATE: DESCRIPTION: BY: DESCRIPTION:



RAIL BARGE TRUCK
SERVICES, INC

218 CORPORATE DRIVE
ELIZABETHTOWN, KY 42701
PHONE: (270) 763-6649
FAX: (270) 763-6653
e-mail: sales@rbtsi.com

MODEL AP500
ACID UNIT & SAFETY SHOWER
GENERAL ARRANGEMENT

DRAWN BY: RDB/SWD	DRAWN DATE: 08/16/02	APPROVED BY:	APPROVED DATE:
CHECKED BY: SWD	CHECKED DATE: 08/16/02	SHEET NUMBER: GA-01 OF	SCALE: N/A
CUSTOMER:	LOCATION:	JOB NO:	DWG NO: AP500-GA-01