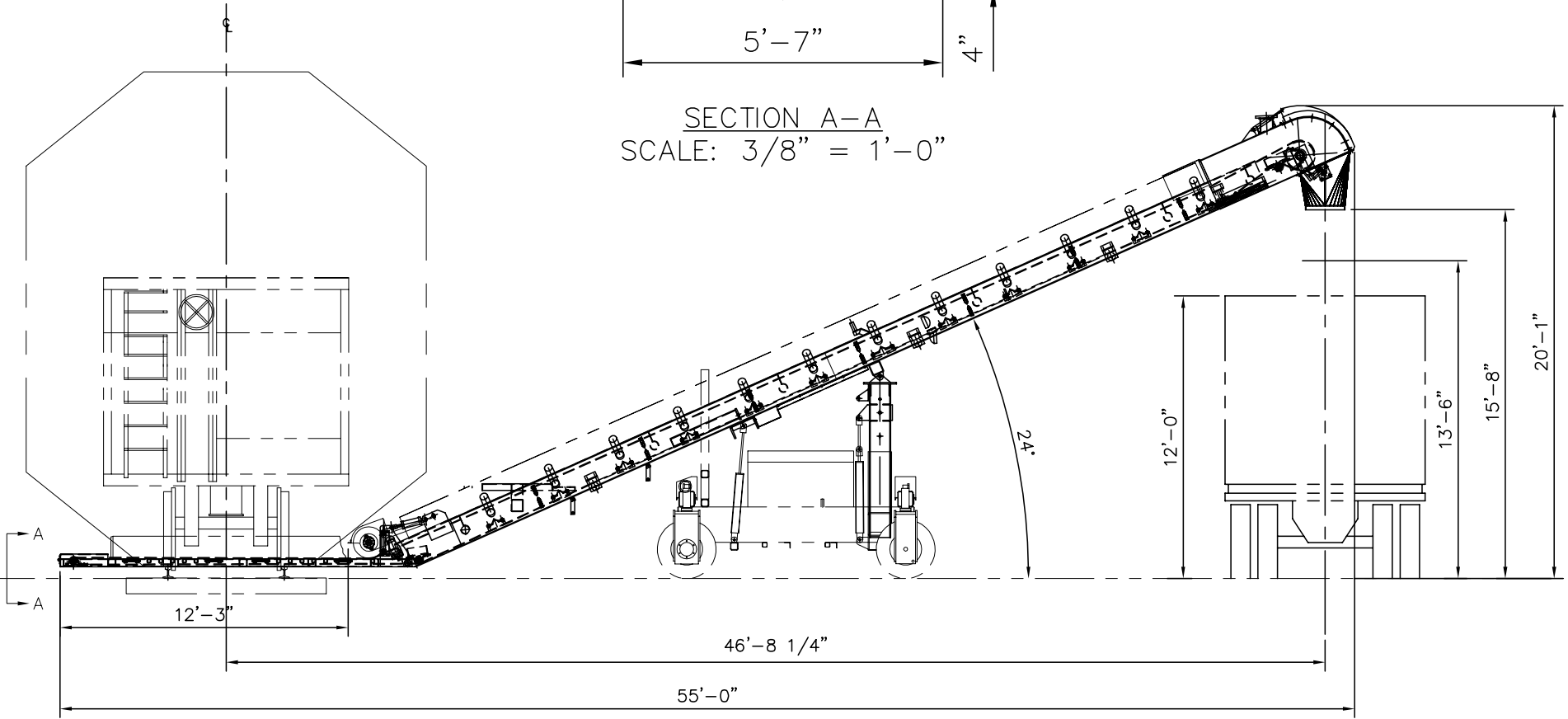


SECTION A-A
SCALE: 3/8" = 1'-0"



10

THIS DRAWING, CONCEPTS, AND DESIGNS SHOWN THEREON ARE THE EXCLUSIVE PROPERTY OF RBT SERVICES, INC AND ARE NOT TO BE USED OR REPRODUCED IN WHOLE OR IN PART, WITHOUT THE WRITTEN CONSENT OF RBT SERVICES, INC.

0	07/19/02	ISSUED FOR REVIEW	SC
REV. #	DATE	DESCRIPTION:	BY:


 218 CORPORATE DRIVE
 ELIZABETHTOWN, KY 42701
 PHONE: (270) 763-6649
 FAX: (270) 763-6653
 e-mail: sales@rbtsi.com

DESCRIPTION:

MODEL 4255
42" BELT CONVEYOR
TRUCK FEED
GENERAL ARRANGEMENT

DRAWN BY: SC	DRAWN DATE:	APPROVED BY:	APPROVED DATE:
CHECKED BY:	CHECKED DATE:	SHEET NUMBER:	OF
CUSTOMER:	JOB NO:	SCALE:	NTS
LOCATION:	DWG NO:	42 BELT SALES	